

Personal Hand Fan Order Form

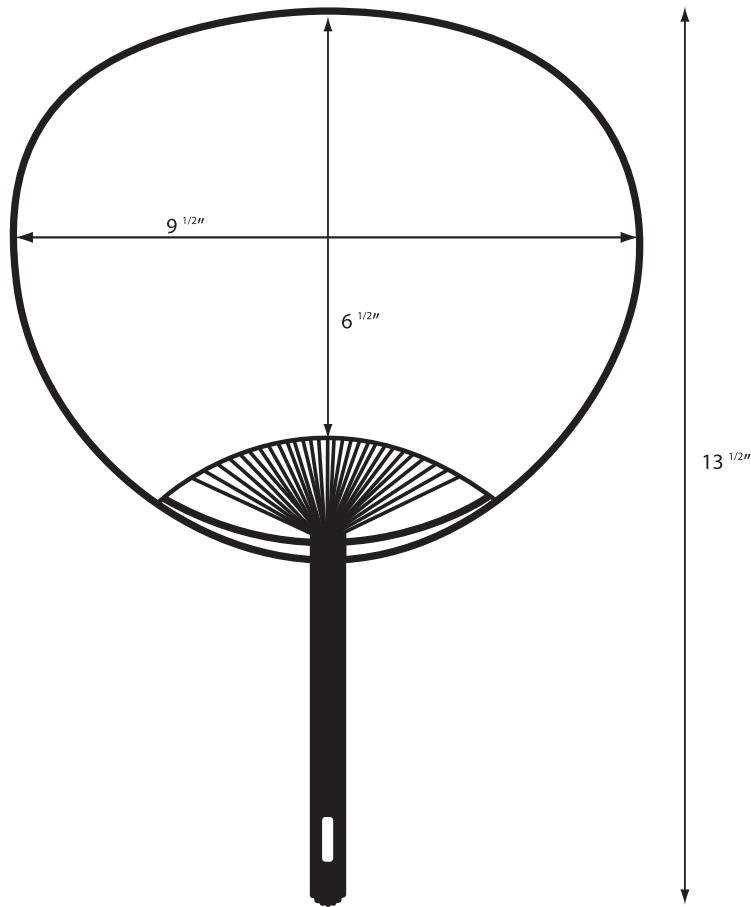
This order form may be copied for your use

1

P.O. No.	Distributor	Ship To	
Date	Phone		Fax
	Contact		
	Signature		

2 Please write copy in boxed areas below and indicate desired font, or attach electronic artwork.

Templates below are not actual size.



3

Shape	Quantity	Unit Price	Total
Size			
Thickness			
Freight			
Tax (or resale#)			

Total Cost: _____

4

Credit Card Type _____

Acct. No. _____

Expiration Date _____

Signature _____

